

Ericsson G30 / G35

Fixed Wireless Terminal for GSM Mobile Networks

User Guide

Table of Contents

Table of Contents	3
Welcome	4
Fixed Wireless Terminal	6
Installation	9
Connecting Devices to the FWT	15
Advanced Features.....	20
Troubleshooting.....	28
Technical Data.....	32
Accessories	35
Product Care and Safety.....	37
Warranty.....	41
Glossary	43
Index	45

Welcome

Welcome to the User Guide for the G30 / G35 Fixed Wireless Terminal.

Important information: Some of the services described in this guide might not be supported by all networks. Please, contact your network operator for information on different network services operational in your GSM network.

The latest version of this user guide can be downloaded from:

<http://www.ericsson.com/enterprise/library/manual.shtml>

Disposal of the product

Your product should not be placed in municipal waste. Please check local regulations for disposal of electronic products.



Copyright

No part of this document may be reproduced without the written permission of the copyright owner.

The contents of this document are subject to revision without notice due to continued progress in methodology, design and manufacturing. Ericsson shall have no liability for any error or damage of any kind resulting from the use of this document.

Warranty

ERICSSON MAKES NO WARRANTY OF ANY KIND WITH REGARD TO THIS MATERIAL, INCLUDING, BUT NOT LIMITED TO, THE IMPLIED WARRANTIES OF MERCHANTABILITY AND FITNESS FOR A PARTICULAR PURPOSE. Ericsson shall not be liable for errors contained herein nor for incidental or consequential damages in connection with the furnishing, performance or use of this material.

Declaration of Conformity

Hereby, Ericsson Enterprise AB declares that this product is in conformity with the requirements and other relevant provisions of the European R&TTE directive 1999/5/EC.

Details to be found at: <http://ericsson.com/sdoc>.

FCC Statement

Before a wireless terminal is available for sale to the public, it must be tested and certified to the FCC that it does not exceed the limit established by the government adopted requirement for safe exposure.

This device complies with CFR 47 Part 15 and Part 24 of the FCC rules. Operation is subject to the following two conditions:

(1) This device may not cause harmful interference, and (2) this device must accept any interference received, including interference that may cause undesired operation.



Fixed Wireless Terminal

Product Description

The FWT is a flexible and cost-effective solution for connection to the wireless GSM network when there is no fixed line infrastructure or if you need additional telephone lines.

The G35 can also be connected to a PBX so you can benefit from the Least Cost Routing (LCR) capabilities offered by most PBX vendors to optimize your costs by routing outgoing calls to mobile phones through the GSM network.

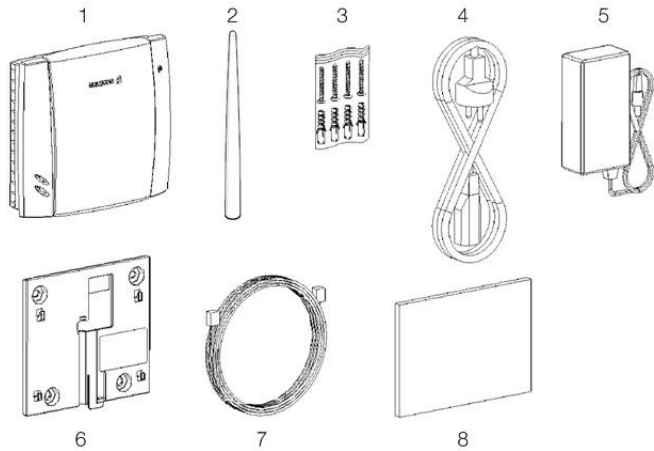
The FWT allows automatic network searching between GSM 850/1900 or GSM 900/1800 frequencies, ensuring world wide coverage in the GSM networks.

The FWT features the latest technology, which makes it perfect for everyday communication:

- Available in 2 dual-band GSM models (GSM 850/1900 or GSM 900/1800).
- Telephone line providing high quality speech.
- Battery back-up (optional).
- PBX connectivity (only on the G35 model).

Supplied Parts

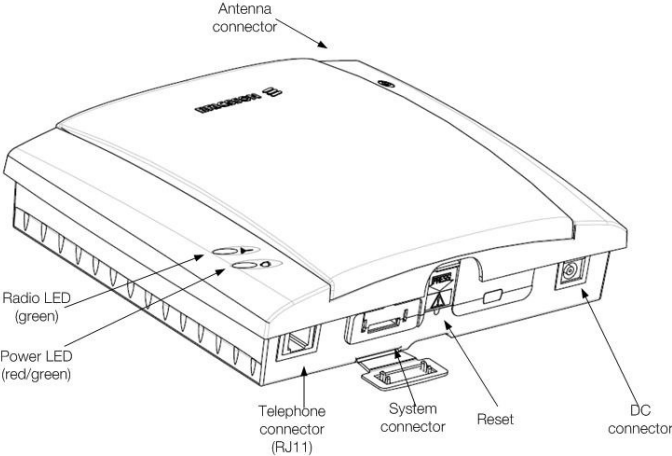
After unpacking, please check that the following parts and list of components are included:



List of Components

1. FWT unit
2. Antenna
3. 4 x mounting screws
4. Power cable (USA, UK, EU or AUS)
5. AC/DC adapter
6. Wall mount bracket
7. Telephone cable
8. Quick Guide and User Guide manuals

External Connector and Indicators



Installation

SIM Card

Your network operator provides you with a SIM (Subscriber Identity Module) card. The SIM card contains information about your telephone number and the services included in your subscription.

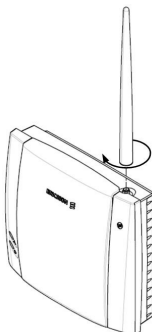
Preparing Your FWT

You need to follow these steps before you install the FWT on the wall and finalize all connections.

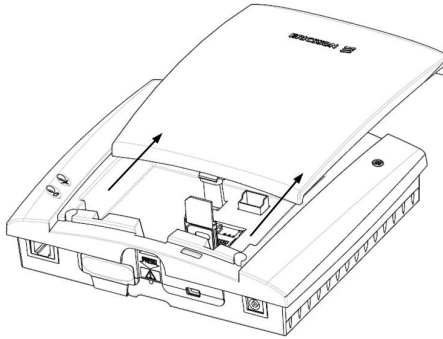
Warning: The FWT should be switched off before inserting or removing your SIM card or connecting any devices to the FWT.

Assembly

1. Connect the antenna.



2. Remove the front cover, by pressing down and pushing the small tab that is in the center of the bottom part of the FWT. Open the SIM Card holder and insert the SIM Card.

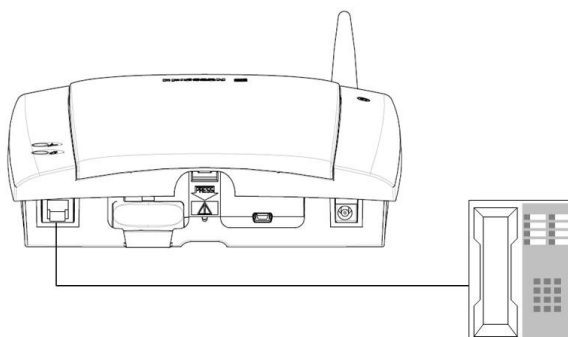


3. Close the SIM Card holder, placing it horizontally and securing it with the sliding part of the holder.
4. Install the battery (optional) in the battery compartment (over the SIM Card). To do so, connect the battery cable to the FWT connector. Connect the black cable to the negative pole (-) of the battery and the red cable to the positive pole (+). Fit the cable under the holding tab (over the SIM Card) and insert the battery until the tab fixates it.
5. Replace the front cover.

Connecting a telephone to the FWT

Connect an analog telephone to the line interface (RJ11) of the FWT.

Important: You may have to use this telephone to enter the PIN code.



Switch on the FWT

Connect the power supply. The FWT switches on automatically and the LED indicators start flashing.

Note: If the Power LED is off, there is a problem with the power supply. Please refer to the topic *Troubleshooting* documented on page 28 for more detailed information.

Enter PIN

Most SIM cards are protected with a PIN (Personal Identity Number), which you get from your network operator and which you need in order to access the network. If the SIM card is not protected by a PIN code, then you do not need to enter a PIN.

The FWT starts the network search automatically. If the SIM card is protected by the PIN code, then the LEDs will flash simultaneously.

Please follow these steps before you enter your PIN:

1. Pick up the telephone and dial the PIN code. Press the # key on your telephone or wait until you hear a beep tone.
2. If you make a mistake while entering your PIN, hang up the telephone and try again.

If the PIN is correct, you will hear a beep over the telephone (positive indication tone). If it is incorrect, a deep tone will sound (error indication tone).

If the PIN is entered incorrectly three times, the SIM card will be blocked. If this happens, you can unblock it by using the PUK (Personal Unblocking Key), which you also may get from your network operator. Please refer to the topic *SIM Card Security* documented on page 26 for more detailed information.

Note: Once you have entered the PIN code for the first time, you will not have to enter it again unless you change your SIM card. The FWT performs this operation automatically in case of power failure.

Network Search

After you have switched on your FWT and entered the PIN, the FWT automatically searches for a network.

When a network is found, the Radio LED is on or flashes depending on the GSM signal strength.

Note: If the Radio LED is off, you do not have access to the GSM network at your present location.

Now you have prepared the FWT for wall installation. Please, follow the instructions below for complete wall installation.

Installing the FWT on the Wall

FWT Location

The GSM signal strength available at the FWT location affects the performance of the unit. The stronger the GSM signal, the better the FWT performance.

Tip: Test several potential locations by moving the FWT while looking at the Radio LED. Select the location where the Radio LED is continuous steady, or the location with the highest amount of flashes.

Note: Moving the FWT as little as 20 cm can affect the GSM reception quality.

Location Testing	
Number of Radio LED flashes	Location status
0 OFF	Unacceptable
1 - - -	Acceptable
2 -- -- --	Good
3 --- --- ---	Very Good
Continuously	Excellent

Please consider the following recommendations:

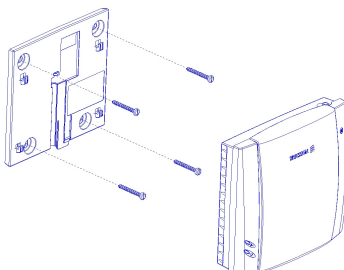
- Always select an **indoor** location, preferably close to a window and as high as possible in the building. Generally, you will experience better GSM signal strength in these places.
- Do not install the FWT in a wet or damp location.
- Do not install the FWT in an outdoor location.
- Do not install the FWT on walls or in rooms that contain large amounts of metal, steel or wiring.
- Do not expose the FWT to extreme temperatures (near radiators, cooling vents, etc).

If you experience poor reception quality, an outdoor antenna may improve reception. Please refer to the topic *Accessories* documented on page 35 for more detailed information,

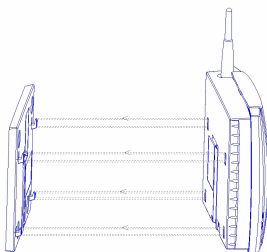
Wall mounting

Please proceed as indicated in the following picture.

1. Fix the wall-mounting bracket on the wall.



2. Press the FWT against the wall-mounting bracket.



3. Slide the FWT downwards.



Warning: Once you have fixed the FWT to the wall and switched it on, check the final status of the LEDs. If either one is off, then there is a problem with the power supply or the GSM signal.

Now the FWT is ready for connecting devices and making calls.

Note: If you want to remove the FWT from the wall bracket, then you have to press the tab (step 1) as indicated in the following picture and then slide the FWT upwards (step 2).



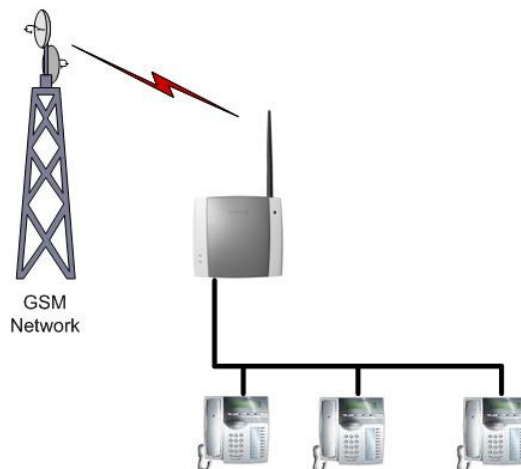
Connecting Devices to the FWT

Warning: Before you start any connections please refer to the topic *Product Care and Safety* documented on page 37 for more detailed information and contact your network operator if you have any questions.

Warning: To ensure good protection against electrical discharges and the best audio quality, proper grounding of the power supply is strongly recommended.

Connecting devices to the FWT

Connect the devices to the FWT (RJ11 connector) in the same way as with an analog telephone line. The devices must be connected in parallel. You can connect the devices directly to the FWT telephone line connector (RJ11) or make an internal telephone wiring, use RJ11 splitters or similar connectors.



Note: When making the connections, the two-wire telephone cable polarity does not matter.

Tip: If your home or company is already wired with telephone cable, you only need to connect the cable to the FWT RJ11 connector and your telephone line will be up and running in all rooms.

Note: The telephone wire must be installed indoors.

Note: The telephone wire should not exceed 600 meters.

Checking the connections

Once the devices (up to 3) have been connected, do the Ring Back Test as described below in order to check the connections:

- Lift one telephone and dial ****#10#**. You will hear a beep tone and the terminal LEDs will start flashing. Three flashes indicate it is synchronized.
- Hang up the telephone and check that all the connected telephones start to ring.
- Lift any of the telephones connected and then hang up again. The ringing will stop and the LEDs will return to normal operation mode.

Tip: If any of the telephones are not ringing, check your telephone cable layout and connections to make sure that all devices are properly connected.

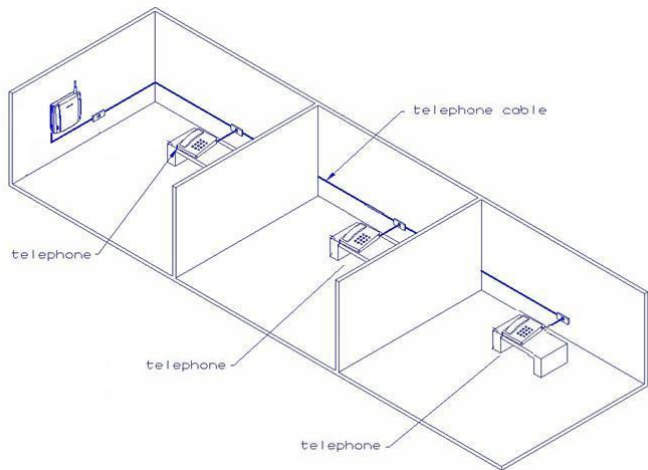
Checking the quality of the calls

Use any of the telephones connected to the FWT terminal to make a call. Check the speech quality and ask the receiver to call you back to confirm that you can also receive calls.

If you have problems, please refer to the topic *Troubleshooting* documented on page 28 for more detailed information.

Installing the FWT as a telephone line

The FWT is designed to provide a telephone line (RJ11 connector) to which up to three (3) Fixed Line devices can be connected in parallel. The FWT provides a single telephone line, which means that only one communication can take place at a time, in the same way as an ordinary fixed line.



Warning: In order to avoid GSM interferences (noise), place the FWT at least three (3) meters (horizontal) away from electronic devices, including the telephone equipment connected to the FWT, or other household electronic devices such as televisions or radio receivers. The difference in height should be at least 2 meters (vertical). This is not necessary if you use telephone devices that fulfill the Immunity Characteristics settled by the IEC CISPR-24 standard. In this case, a minimum security distance of 20 cm is recommended.

Connecting the FWT to a PBX

This feature is only available for the FWT G35 model. The G35 FWT is designed to provide a telephone line (RJ11 connector) that behaves in the same way as an analog trunk.

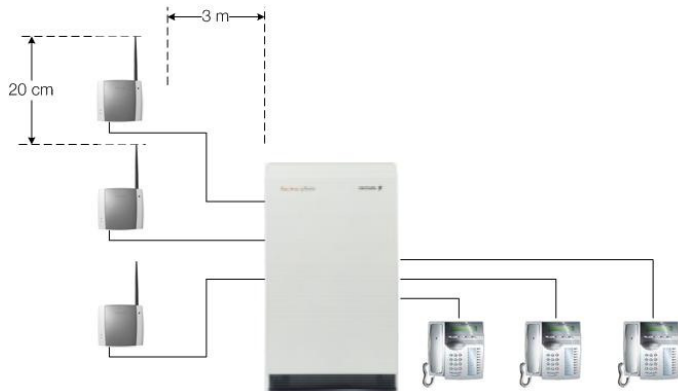
Generic requirements

The PBX should meet the following generic requirements for FWT connectivity:

- The PBX must provide analog trunks.
- One position of the trunk must be assigned to each FWT.
- The trunk card must support either Busy Tone Detection (BTD) or Polarity Reversal Detection on answer and release.

- The PBX can be programmed to utilize Least Cost Routing (LCR), if available, to automatically choose the trunk where the G35 FWT is connected.
- If the PBX does not offer LCR, choose the trunk where the FWT is connected manually with a special dialed prefix. Check the installation in the same way as before.

The G35 FWT is compatible with most analog PBXs on the market.



G35 FWT connectivity to the analog trunk of the PBX

If the PBX fulfils the requirements for FWT connectivity, listed above, follow all the installation steps as described in the topic *Installing the FWT on the Wall* documented on page 12.

Note: A minimum distance of 3 meters between the G35 FWT and the PBX is recommended. The cable distance between the PBX and the G35 FWT should not exceed 600 meters, and the connection cable should be at least 0.4mm² in diameter.

Warning: If you install more than one G35 FWT to a PBX, their antennas have to be separated by 20 cm in height or 2 meters in the horizontal.

If you are using an analog PBX – disconnect the telephone you have used to enter the PIN and test the FWT, and connect the analog trunk cable from the PBX to the FWT telephone line interface.

Check your PBX programming guide to see how to program your PBX to route certain calls through the FWT trunk if you are using a Least Cost Routing (LCR) programmed PBX. Once LCR is programmed, make a call to a mobile telephone number. See if the call is established through the FWT and check the speech quality.

If the PBX does not offer the LCR option, choose the FWT trunk manually with a specific prefix. Check the installation in the same way as before. If you encounter problems, contact your distributor or network operator.

Warning: The PBX may require specific programming: both programming and installation should be done by specialized service personnel.

Using telephones

Telephones connected to the FWT work in the same way as if they were connected to a fixed line network.

Note: You can also benefit from some GSM functionality that you usually do not have in the fixed line network. Please refer to the topic *Advanced Features* documented on page 20 for more detailed information.

Please refer to the topic *Audible Tones* documented on page 31 for more detailed information.

Advanced Features

If a DTMF telephone is connected to the FWT, the following features can be accessed.

Changing Volume

During a call, you can increase or decrease the reception volume level.

- Increase volume: dial R####
- Decrease volume: dial R****

Call Divert

You can divert incoming calls to another phone number when you are unable to answer.

The following table shows the divert alternatives as well as the way to proceed to manage this function.

Note: These dialing sequences may vary depending on your network operator. If these do not work, please consult your network operator or check the user guide provided with your subscription.

To manage diversion of calls ...	With Function ...	Dial ...	You will hear...
Always	Activate	**21*Phone_number#	1 beep
	Deactivate	##21#	3 beeps
	Check status	*#21#	1 beep if activated 3 beeps if deactivated
When busy	Activate	**67*Phone_number#	1 beep
	Deactivate	##67#	3 beeps
	Check status	*#67#	1 beep if activated 3 beeps if deactivated

To manage diversion of calls ...	With Function ...	Dial ...	You will hear...
When no answer	Activate	**61*Phone_number#	1 beep
	Deactivate	##61#	3 beeps
	Check status	*#61#	1 beep if activated 3 beeps if deactivated
When out of reach	Activate	**62*Phone_number#	1 beep
	Deactivate	##62#	3 beeps
	Check status	*#62#	1 beep if activated 3 beeps if deactivated
All	Deactivate	##002#	3 beeps

Note: If instead of hearing beeps you can hear a deep tone, this means that there has been an error in the activation or the deactivation.

Call Restriction / Call Barring

You can restrict certain types of calls that can be made or received. You need a **password** to turn a call restriction on or off. Initially, this password will be **0000**.

We recommend you to change it by dialing:

03OLD_PASSWORD*NEW_PASSWORD* NEW_PASSWORD#

The following table shows the restriction alternatives as well as the way to proceed to manage this function.

Note: These dialing sequences may vary depending on your network operator. If these do not work, please consult your network operator or check the user guide provided with your subscription.

To manage restriction of calls ...	With Function ...	Dial ...	You will hear...
All outgoing calls	Activate	*33*Password#	1 beep
	Deactivate	#33*Password#	3 beeps
	Check status	*#33#	1 beep if activated 3 beeps if deactivated
All outgoing international calls	Activate	*331*Password#	1 beep
	Deactivate	#331*Password#	3 beeps
	Check status	*#331#	1 beep if activated 3 beeps if deactivated

To manage restriction of calls ...	With Function ...	Dial ...	You will hear...
All outgoing international calls except your home country	Activate	*332*Password#	1 beep
	Deactivate	#332*Password#	3 beeps
	Check status	*#332#	1 beep if activated 3 beeps if deactivated
All incoming calls	Activate	*35*Password#	1 beep
	Deactivate	#35*Password#	3 beeps
	Check status	*#35#	1 beep if activated 3 beeps if deactivated
All incoming calls when you are abroad	Activate	*351*Password#	1 beep
	Deactivate	#351*Password#	3 beeps
	Check status	*#351#	1 beep if activated 3 beeps if deactivated
All	Deactivate	#330*Password#	3 beeps

Note: If instead of hearing beeps you hear a deep tone, this means that there has been an error in the activation or deactivation

Multiparty Calls

You can handle more than one call simultaneously. For example, you can put an ongoing call on hold, while you make or answer a second call, and then switch between the two calls.

You can also set up a conference call to have a joint conversation with up to four people.

Call waiting service

If you wish to be able to receive a second call while another call is in progress, you must turn on the call waiting service.

Note: These dialing sequences may vary depending on your network operator. If these do not work, please consult your network operator or check the user guide provided with your subscription.

To manage Call waiting Function...	Dial...	You will hear...
Activate	*43#	1 beep
Deactivate	#43#	3 beeps
Check status	*#43#	1 beep if activated 3 beeps if deactivated

Note: If instead of hearing beeps you hear a deep tone, this means that there has been an error in the activation or deactivation.

Making a Second Call

You can only put one call on hold while you make a second call.

- To hold the active call: press the **R** key on your telephone and proceed to make the second call.
- To switch between the two calls, press **R2**.
- To finish the active call and return to the held call, press **R1**.

Receiving a Second Call

If the call waiting service is on, you hear a tone in the telephone when you receive a second call.

- To ignore the waiting call, take no action.
- To continue with the ongoing call and reject the waiting call (give a User Busy indication tone to the waiting call): press **R0**.
- To end the ongoing call and answer the waiting call: press **R1**.

Note: If you hang up the telephone, you will also end the ongoing call and the telephone will ring again so that you can answer the waiting call as a normal call.

- To put the ongoing call on hold and answer the waiting call: press **R2**. You can switch again between both calls by pressing **R2** each time.

Note: If “divert when busy” is on, the waiting call is diverted to the number you have specified.

Conference Calls

In a conference call, you can have a joint conversation with up to four other participants.

To create a conference call

- If you are in conversation with participant 1, put it on hold (press **R**), and dial participant 2.
- To join the two calls into a conference call: press **R3**. Now you have a conference group of three participants (participant 1, participant 2 and yourself).

To add a new participant (participant 3)

- Put the conference group on hold (press **R**) and dial to participant 3.
- Join the new participant to the conference group: press **R3**. Now you have a conference group of four participants (participant 1, participant 2, participant 3 and yourself).

To end the conference call, hang up the telephone. To release a specific call from the conference group: press **R1X** (where X is the number of order of the call).

To choose one call from the multiparty in order to have a private communication, putting the rest of the conference calls on hold: press **R2X** (where X is the number of order of the call you want to communicate with).

Explicit Call Transfer

To transfer a call to another destination number (B-number).

- Put the ongoing call on hold (press **R**) and dial the B-number.
- Now you can connect this new call, which is ongoing, with the call you have put on hold, but abandon the conversation yourself. To do this, press **R4**.

Phonebook / Abbreviated Dialing

You can store telephone numbers in either the SIM card memory or the FWT memory. Up to 99 telephone numbers can be stored in each of them.

The following table shows how to manage the phonebook with the 99 memory positions (Pos).

Warning: The position must always consist of two digits. For example, memory position number 1 has Pos=01

To manage the phonebook in ...	With Function ...	Dial ...	You will hear ...
SIM card memory	Store	**51*Pos*Phone number#	1 beep
	Delete	#51*Pos#	3 beeps
	Check position	*#51*Pos*Phone number#	1 beep if stored 3 beeps if not stored
	Dial	Pos#	Dialing ...
Terminal memory	Store	**51*Pos*Phone number*1#	1 beep
	Delete	#51*Pos*1#	3 beeps
	Check position	*#51*Pos*Phone number*1#	1 beep if stored 3 beeps if not stored
	Dial	Pos*	Dialing ...

Note: If instead of hearing beeps you hear a deep tone, this means that there has been an error in the activation or deactivation.

Voice Mail

The answering service of your network allows callers to leave a voice message when you cannot answer your calls. If you have voice mail, you will hear three (3) beeps before the dial tone, as soon as you pick up the receiver to make a call. Call your voice mail number in order to receive the voice mail message.

Note: This service may vary depending on your network operator. If these do not work, please consult your network operator or check the user guide provided with your subscription.

Sending Tone Signals

During a call, you can press keys 0-9, * and # to perform interactive services, for example banking by phone or control of an answering machine.

Minute Minder

If the minute minder is activated, you hear a beep once every minute during a call as a reminder of the duration of the ongoing call.

To manage minute minder function...	Dial...	You will hear...
Activate	**42*1#	1 beep
Deactivate	#42*1#	3 beeps
Check status	*#42*1#	1 beep if activated 3 beeps if deactivated

Note: If instead of hearing beeps you hear a deep tone, this means that there has been an error in the activation or deactivation.

Alternate Line Service (ALS)

If your SIM card supports the alternate line service, your FWT can handle two voice lines with different phone numbers, separate bills and perhaps different subscription services.

With this functionality, you only need one FWT and telephone for both your personal and work phone numbers, for instance. If necessary, you may switch from one line to the other.

You will receive all the incoming calls addressed to any of your numbers independently of the selected line, but your outgoing calls will be charged to the line you have selected (1 or 2).

Warning: These dialing sequences may vary depending on your network operator. If these do not work, please consult your network operator or check the user guide provided with your subscription.

To manage alternate line service function ...	Dial ...	You will hear...
Activate Line 1	**591#	1 beep
Activate Line 2	**592#	1 beep
Check status Line 1	*#591#	1 beep if activated 3 beeps if deactivated
Check status Line 2	*#592#	1 beep if activated 3 beeps if deactivated

Note: If instead of hearing beeps you hear a deep tone, this means that there has been an error in the activation or deactivation.

SIM Card Security

To Manage your SIM Card

Most SIM cards are locked at the time of purchase. If the SIM card lock is on, you have to enter your PIN (Personal Identity Number) the first time you use your FWT. Please refer to the topic *Enter PIN* documented on page 11 for more detailed information.

Note: Once you have entered the PIN code for the first time you will not have to enter it again unless you change your SIM card. The FWT performs this operation automatically in case of power failure.

If you enter your PIN incorrectly three times in a row, the SIM card will be blocked and the PUK code must be entered to unlock the SIM card. Please refer to topic *To Unblock your SIM Card* documented on page 27 for more detailed information.

To Change your PIN

You can change the PIN in the SIM card by dialing from the analog telephone connected to the FWT with the following sequence:

**04*OLD_PIN*NEW_PIN*NEW_PIN#

Note: If instead of hearing 3 beeps you can hear a deep tone, this means that there has been an error in the activation or the deactivation.

To Unblock your SIM Card

To unblock your SIM card, you need to enter your PUK (Personal Unblocking Key), which can be supplied by your network operator.

The procedure to enter the PUK is exactly the same as for entering the PIN.

Note: If you enter the wrong PUK ten times in a row, your card will be permanently blocked. If this happens, you should contact your network operator.

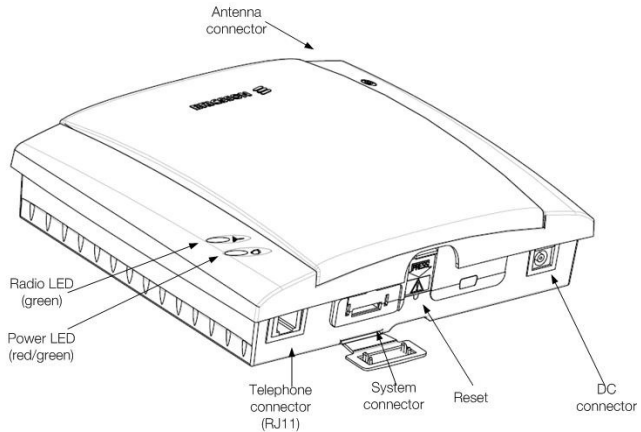
In order to unblock your SIM card and change the PIN at the same time, please dial the following sequence:

****05*PUK*NEW_PIN*NEW_PIN#**

Note: If instead of hearing 3 beeps you can hear a deep tone, this means that there has been an error in the activation or the deactivation.

Troubleshooting

This chapter describes the procedures to identify and, if possible, correct problems that might occur with the FWT or its installation. Some problems require that you call your network operator, but most problems you may encounter can be easily corrected.



LED indicators

The FWT has two LED indicators: The Radio LED (green) indicates the network signal strength, according to the following table:

Color	Number of flashes	Network signal strength
OFF	0	Unacceptable (no networks)
Green	1 - - - -	Acceptable
Green	2 -- -- --	Good
Green	3 --- ----	Very good
Green	Continuous -----	Excellent

The Power LED (red and green) indicates the FWT power supply status:

Color	Power supply situation
Green	Power supply is ON (AC adapter)
Red	The FWT is powered from the battery back-up
OFF	Power is OFF

When both LEDs are **flashing simultaneously**, it means that the FWT is under **alarm conditions**. In this situation, **ONLY EMERGENCY CALLS** can be made.

Simultaneous flashing	Alarm status	Do this ...
1 flash synchronized Power LED - - - Radio LED - - -	ENTER PIN	Insert the correct PIN. Please refer to the topic <i>Enter PIN</i> on page 11.
	ENTER PUK	Insert the correct PUK.
	INSERT SIM	Insert the SIM card in the FWT.
	SIM ERROR	SIM failure. Check the SIM or contact your network operator.
	WRONG NETWORK WRONG SUBNETWORK	The FWT is SIM-locked to a specific network and the inserted SIM card does not correspond to this network. Check the SIM or contact your network operator.
	WRONG SIM	The FWT is PIN-locked and can only be used with one SIM card. Introduce the original SIM or contact your network operator.
2 flashes synchronized Power LED - - - - Radio LED - - - -	FWT LOCKED	The FWT lock function is enabled. Contact your distributor or network operator.
	WRONG XXXCK (where XXX is the name of the specific password)	The FWT is blocked due to incorrect password entry. Contact your distributor or network operator.
3 flashes synchronized Power LED - - - - - Radio LED - - - - -	FWT FAILURE	Check connections of the FWT or contact your distributor/ network operator.

The following table summarizes the different operating status of your FWT depending on the LEDs, and what to do if a problem is encountered. If the problem persists, please contact your distributor or network operator.

LED indicators status		
If you see...	It means...	Do this...
Power LED Green Radio LED ON or flashing	<ul style="list-style-type: none"> ▪ AC power is ON. ▪ The FWT is connected to the cellular network and available for use. ▪ Normal operation mode 	<ul style="list-style-type: none"> ▪ Start using your FWT. ▪ If Radio LED is flashing, Please refer to the topic <i>FWT Location</i> on page 12. ▪ If you are unable to make a call, check the telephone cable connection or the PBX connections and program.
Both LEDs OFF	<ul style="list-style-type: none"> ▪ AC Power is OFF 	<ul style="list-style-type: none"> ▪ Verify that the AC power plug is securely connected to the AC power outlet. ▪ Check that the DC power cord is connected to the FWT. ▪ Check the circuit breaker or fuse for the AC electrical circuit that supplies power to the AC outlet that the FWT is connected too.
Power LED Green Radio LED OFF	<ul style="list-style-type: none"> ▪ AC Power is ON ▪ The FWT is not connected to the cellular network. The FWT is not available for use. 	<ul style="list-style-type: none"> ▪ Verify that the antenna is properly installed. ▪ Verify you have installed the FWT in the best location and that the antenna is properly connected. Please refer to the topic <i>FWT Location</i> on page 12.
Power LED Red Radio LED Green or flashing	<ul style="list-style-type: none"> ▪ AC power is OFF. The FWT is operating using the battery back-up power ▪ The FWT is connected to the cellular network and available for use. 	<ul style="list-style-type: none"> ▪ Verify that the AC power cords are securely connected to the AC power outlet. ▪ Check that the power cable is connected to the FWT. ▪ Check the circuit breaker or fuse for the AC electrical circuit that supplies power to the AC input of the FWT power supply.
Power LED Red Radio LED OFF	<ul style="list-style-type: none"> ▪ AC power is OFF. The FWT is operating using battery back-up power. ▪ The FWT is not connected to the cellular network. The FWT is not ready for use. 	<ul style="list-style-type: none"> ▪ Verify that the AC power cord is securely connected to the AC power outlet. ▪ Check that the power cable is connected to the FWT. ▪ Check the circuit breaker or fuse for the AC electrical circuit that supplies power to the AC outlet that the FWT is connected to.
Both LEDs Flashing (simultaneously)	<ul style="list-style-type: none"> ▪ Alarm status ▪ The FWT is blocked or it has an internal fault 	<ul style="list-style-type: none"> ▪ Check the alarm status table above. ▪ Contact your distributor or network operator for assistance.

Audible Tones

The FWT generates audible tones in your telephone set, thus providing the same service characteristics as the one given by the traditional fixed line network.

The following table describes the nature of the main tones you will get when using the unit. Other standard call progress tones, such as busy tone, number obtainable or ring back tone, are provided directly by the network.

Note: Some tones can vary depending on your network operator.

Tone	Name	Nature	It means...
1	Dial	Regular tone when picking up the phone	The phone is in service and you can start your call.
2	Special dial	Intermittent long-cadenced tone when picking up the phone	The phone is in service and you can start your call, but you have some subscriber service (call forward, barring or hot line) activated.
3	No service	Intermittent short-cadenced tone when picking up the phone	No service available.
4	Howler	Loud and acute tone	You have left the handset lifted for too long without any call in progress.
5	Minute minder	1 beep every minute while in conversation	It tracks the duration of the call.
6	Voice mail alert	When picking up the phone, three beeps and then regular tone	You have a voice mail in your voice mailbox. You need to call your mailbox to retrieve it.
7	Positive	1 beep	Subscriber service successfully activated or positive interrogation indication.
8	Negative	3 beeps	Negative interrogation indication.
9	Error	1 deep tone	Subscriber service not activated or programming procedure not successfully performed.

Technical Data

GSM Air Interface

Frequency Bands: GSM 850/1900 or GSM 900/1800.

GSM 850

Frequencies: TX 824-849 MHz, RX 869-915MHz
RF power: Maximum 2 W (30 dBm)
Power class 4

GSM 900

Frequencies: TX 880-915 MHz, RX 925-960 MHz
RF power: Maximum 2 W (33 dBm)
Power class 4

GSM 1800

Frequencies: TX 1710-1785 MHz, RX 1805-1880 MHz
RF power: Maximum 1 W (30 dBm)
Power class 1

GSM 1900

Frequencies: TX 1850-1910 MHz, RX 1930-1990 MHz.
RF power: Maximum 1 W (30 dBm)
Power class 1

Speech codec: Full Rate, Enhanced Full Rate, Half Rate and Adaptive Multi-Rate (AMR)

FWT Interfaces

Basic Kit

The Basic Kit consists of: FWT unit, power supply, mains cable, wall-mount bracket, antenna, Quick Installation Guide and User Guide manuals and telephone cable.

- Size: Height 148 mm, Width 165 mm
- Depth: 45 mm
- Weight: 310 grams
- SIM card: Small plug-in card, 1.8V or 3V type

Telephone Interfaces

- Telephones: RJ11 (a/b 2-wire line); telephone interface
- CLI: ETSI DTMF and V.23; Bellcore FSK
- Line Impedance: 600 ohm (default)
- Loop Current: 25 mA (off-hook)
- Open loop voltage: 48 V (on-hook)
- Loop resistance: < 650 ohm (off-hook)
- Ringing voltage: 45 Vrms
- Ring Load: 3 REN; up to 3 telephone devices
- Call Control signaling; polarity reversal and loop-break (G35 only)

GSM Antenna

- SMA plug-female (50 ohm)
- Frequency Bands: GSM 850/1900 or GSM 900/1800
- Dual band antennas depending on model types: e.g. model types FWT G30a / G35a (American) cover the frequencies of 850/1900 MHz and model types FWT G30e / G35e (European) cover the frequencies of 900/1800 MHz
- Characteristics: omni directional

Power Supply

- Power Input VDC: 7.5 VDC; 0.8 A (class 4, male)

- AC Input: 100 - 240 VAC; 47 - 63 Hz 3 pole AC inlet connector (IEC 320 power inlet)
- Available plugs: EU, UK, USA, and AU

Environmental Conditions

- Operating Temperature: -10°C to +55°C
- Operating Humidity: 20 – 75 %
- Storage Temperature: -40°C to +85°C
- Storage Humidity: 5 - 95%

Accessories

The G3x series FWT benefits from a wide range of accessories, which ensure the best and easiest way to install, serve and maintain the FWT, enhancing their functionality. Only these, approved-by-Ericsson, accessories will guarantee the quality and performance of the FWT.

Antennas

In areas where coverage is poor, the following accessory antenna can be used to enhance the FWT performance:

External triple band omni directional antenna

External dual band omni directional antenna is used for installation or in places where indoor coverage is unstable.

Band: dual 900/1800 MHz. Gain: 3dBi. Cable: 3m Connector: SMA male.

Band: dual 850/1900 MHz. Gain: 3dBi. Cable: 3m Connector: SMA male.

Outdoor directional antenna

The directional antenna is intended to be wall or pole mounted by means of a bracket. The antenna has the highest gain amongst the FWT antennas. Band: 850/900/1800/1900 MHz. Gains: 10dBi. Cable: 7.5 m. Connector: SMA male.

Battery

The FWT can be installed with a backup battery:

- Rechargeable lead-acid battery: 6V, 1.2-1.3 Ah with 2.5 hours continuous conversation, 13.5 hours stand-by.

Warning: Ericsson recommends precaution when handling lead-acid batteries, and also special attention over storage and power loss issues. Please refer to the topic *Product Care and Safety* documented on page 37 for more detailed information.

Battery Cable

The battery cable is used to connect the backup battery to the FWT.

DC/DC Power Converter

This accessory can be used to connect a DC voltage power system (car battery, solar cell, etc.) to feed the FWT. DC Input: 10-32 VDC.

Mechanical Antitheft Lock

The mechanical lock serves as an anti-theft device. It fits into the wall mounting bracket; the FWT is then installed onto the wall mounting bracket as normal. The mechanical lock prevents removal of the FWT from the wall mounting bracket. The FWT can be removed by using the Mechanical Key

Mechanical Antitheft Key

The mechanical key is used to “unlock” the FWT in cases of the mechanical lock being used. The key is inserted into the “keyhole” at the bottom of the FWT between the unit and the wall mounting bracket. It releases the FWT unit from the wall mounting bracket

Product Care and Safety

Note: Please read this information before using your FWT.

Save this User Guide since it contains important safety information and operating instructions.

Product care

- Treat your product with care. Keep it in a clean and dust-free place.
- Do not expose your FWT to liquid or moisture or high humidity.
- Do not expose your FWT to extreme high or low temperatures; refer to the topic *Technical Data* documented on page 32 for more detailed information.
- Do not expose your FWT to open flames or lit tobacco products.
- Do not use the FWT in an area where a potentially explosive atmosphere exists.
- Do not attempt to disassemble your FWT. A broken warranty seal will void the warranty. The product does not contain consumer serviceable components. Only Certified Service Centers should perform service.
- Do not use any accessories other than those approved by Ericsson. Use of non-Ericsson original, or non-Ericsson approved accessories, may result in loss of performance, damage to the product, fire, electric shock or injury and may violate regulations. The warranty does not cover product failures that have been caused by use of non-Ericsson original, or non-Ericsson approved accessories.

Antenna care

- Use only an antenna that has been specifically designed and approved for your FWT. Use of unauthorized antennas, modifications, or attachments could damage the FWT and may violate the appropriate regulations, causing loss of performance and radio frequency (RF) energy above the recommended limits.
- Do not hold or touch the antenna when the FWT is in use. Holding or touching the antenna affects call quality.
- Do not use the FWT if the antenna or antenna cable is damaged or missing.
- Do not place the telephone cord or the power supply cord on or near the FWT antenna or antenna cable.
- Do not cover or place an obstruction on or around the antenna.

Radio wave exposure information

This fixed wireless access terminal is a low-power radio transmitter and receiver. During use, it emits low levels of radio frequency energy (also known as radio waves or radio frequency fields).

Governments around the world have adopted comprehensive international safety guidelines, developed by scientific organizations, e.g. ICNIRP (International Commission on Non-Ionizing Radiation Protection) and IEEE (The Institute of Electrical and Electronics Engineers Inc.) through periodic and thorough evaluation of scientific studies. These guidelines establish permitted levels of radio wave exposure for the general population. The levels include a safety margin designed to assure the safety of all persons, regardless of age and health, and to account for any variations in measurements.

Specific Absorption Rate (SAR) is the unit of measurement for the amount of radio frequency energy absorbed by the body. The SAR level for this product was determined at the highest certified power level in laboratory conditions using a measurement standard published by the European Committee for Electrotechnical Standardization (CENELEC).

With the antenna solutions recommended by Ericsson, the maximum radio wave exposure is below the limit in the international safety guidelines within a few centimeters from the antenna. Consequently, for recommended placement of the terminal and antenna, the radio wave exposure levels are below the limits.

More information on radio frequency exposure can be found on:

www.ericsson.com/health.

Personal medical devices

Radio waves may affect the operation of cardiac pacemakers and other implanted equipment. If a minimum distance of 15 cm is kept between the antenna and the pacemaker, the risk of interference is limited. If you have any reason to suspect that interference is taking place, immediately move away from the antenna. Contact your cardiologist for more information.

For other medical devices, please consult the manufacturer of the device.

Potentially explosive atmospheres

Do not use your product in an area where a potentially explosive atmosphere exists.

Power supply

- Ensure that your AC power outlet is adequately grounded, that it is situated near the FWT and it is easily accessible.
- Connect the power supply cord only to the AC power outlet that meets the specifications marked on the FWT power supply.
- Never alter the AC power cord or plug. If necessary have the correct outlet installed by a qualified electrician or call your service provider for assistance.
- To reduce risk of damage to the electric cord, remove it from the outlet by holding onto the AC adapter rather than the cord.
- Make sure the cord is positioned so that it will not be stepped on, tripped over or otherwise subjected to damage or stress.

Children

DO NOT ALLOW CHILDREN TO PLAY WITH YOUR FWT SINCE IT CONTAINS SMALL PARTS THAT COULD BECOME DETACHED AND CREATE A CHOKING HAZARD.

Battery information

Warning: When a battery is not installed or is connected to a terminal that is switched off, it should be recharged during 24 hours every 6 months.

- Do not expose the battery to extreme temperatures, never above +60°C. For maximum battery capacity, use the battery in room temperature.
- Do not let the metal contacts on the battery touch another metal object. This could short-circuit and damage the battery.
- Do not expose the battery to open flames. This could cause the battery to explode.
- Do not expose the battery to liquid.
- Do not allow the battery to be put into the mouth. Battery electrolytes may be toxic if swallowed.
- Do not puncture or burn the battery. The battery contains corrosive liquids and materials.
- If the battery leaks and the liquid inside spills on the skin or clothing immediately wash it off with plenty of clean water. If the liquid splashes into eyes, immediately flush the eyes with plenty of clean water and consult a doctor.

Moving or Storing the FWT

Turn off the FWT by disconnecting the power supply as well as the battery (if one is installed).

If you are transporting the FWT on an aircraft, you will be asked to remove the battery from the unit. For updated information about the transportation and use of wireless communication equipment, contact the appropriate local and national regulatory agency or your service provider.

Accessing the battery compartment



This label appears under the battery compartment indicating that the terminal should always be **switched off** before attempting to access the battery compartment.

Warranty

Limited Warranty

Thank you for purchasing this Ericsson Product. To get the maximum use out of your new product, we recommend that you follow a few simple steps:

- Read the Guidelines for safe and efficient use.
- Read all of the terms and conditions of the Ericsson Warranty listed below.
- Save your original receipt, this is necessary for warranty repair claims. Should your Ericsson Product need warranty service, you should return it to the dealer from whom it was purchased or contact your local Ericsson helpdesk for further information.

Ericsson Warranty

Ericsson warrants this Product to be free from defects in material and workmanship at the time of its original purchase by a customer, and for a subsequent period of one (1) year.

All accessories for the Product are covered by a warranty period of one (1) year from the date of original purchase by a customer.

What Ericsson will do

If, during the warranty period, this Product fails to operate under normal use and service, due to improper materials or workmanship, Ericsson subsidiaries, authorized distributors, or authorized service partners will replace the Product in accordance with the terms and conditions stipulated herein.

For efficiency purposes, Customers are reminded that should their Ericsson Product need warranty service, they return it to the dealer from

which it was purchased or call their local Ericsson helpdesk for further information on warranty claims.

Conditions

1. The warranty given herein is only valid if the original receipt issued by the dealer to the original purchaser, specifying the date of purchase and serial number, is presented along with the Product to be replaced. Warranty service may be refused if this information is not available or has been removed or changed after the original purchaser of the Product from the dealer.
2. Any replaced Product will be warranted for the remainder of the original warranty period. Replacement may be via functionally equivalent reconditioned units. Replaced faulty parts or components will become the property of Ericsson.
3. This warranty does not cover any failure of the Product due to normal wear and tear, misuse, including but not limited to use in other than a normal and customary manner, in accordance with Ericsson's instructions for use and maintenance of the Product, accident, modification or adjustment, acts of God, improper ventilation, or damage resulting from liquid.
4. This warranty does not cover product failures due to repair installations, modifications or improper service performed by a non-Ericsson authorized service workshop, opening of the Product by a non-Ericsson authorized person or use of non-Ericsson original accessories.
5. Batteries are not covered by this warranty.
6. Tampering with any of the seals on the Product will void this warranty.
7. THERE ARE NO OTHER EXPRESS WARRANTIES, WHETHER WRITTEN OR ORAL, OTHER THAN THIS PRINTED LIMITED WARRANTY. ALL IMPLIED WARRANTIES, INCLUDING WITHOUT LIMITATION IMPLIED WARRANTIES OF MERCHANTABILITY OR FITNESS FOR A PARTICULAR PURPOSE, ARE LIMITED TO THE DURATION OF THIS LIMITED WARRANTY. IN NO EVENT WILL ERICSSON BE LIABLE FOR LOSS OF PROFITS, COMMERCIAL LOSS, INCIDENTAL OR CONSEQUENTIAL DAMAGES OF ANY NATURE; TO THE FULL EXTENT THOSE DAMAGES CAN BE DISCLAIMED BY LAW.

Some countries do not allow for the exclusion or limitation of loss of profits, commercial loss, incidental or consequential damages, or limitation of the duration of implied warranties, so the preceding limitations or exclusions may not be applicable in certain cases. This warranty gives specific legal rights, and depending on the country, other rights may be available as well.

Glossary

The following definitions are supplied in order to better understand certain concepts included in this manual:

B-number

The B-number refers to the number that you dial. It is also commonly referred to as destination number, called number, called party number.

Fixed Line Devices

Any analog devices that can be connected to the analog fixed line:

- Fixed Telephones- ordinary telephones for a fixed line.
- G3 Faxes- ordinary fax machines available on the market.
- CLI devices- ordinary displays or telephones equipped with displays that show the caller number for incoming calls.
- V.90 modems- standard modems for PCs used to make data connections over the ordinary fixed line.

FWT (Fixed Wireless Terminal)

The FWT is a flexible and cost-effective solution for connecting your telephone system to the wireless GSM network when there is no fixed infrastructure or if you need additional telephone lines.

LCR

Least Cost Router: diverts calls to the cheapest package available.

PBX

Private Branch Exchange is a private telephone system that allows extension to connect to each other as well as the outside world.

PIN

Personal Identity Number. This is the number you get from your network operator and which you need to access the network. It will prevent the SIM card to be used by unauthorized people.

PUK

Personal Unlocking Key. This is the number you get from your network operator and which is used to unblock your SIM card if an incorrect PIN has been entered three times in a row.

SIM

Subscriber Identity Module. SIM card provided by your network operator, you need to insert in your GSM FWT in order to make and receive calls. It contains all the information from your subscription characteristic.

Switch-off

Power down the FWT by disconnecting the AC power supply or removing the battery.

Switch-on

Power up the FWT by connecting the AC power supply or a charged battery.

Telephone Line

This is the line provided by the FWT (RJ11 connector) that behaves in the same way as the ordinary fixed line.

Telephone Line Wiring

This is the cable layout that has to be available in order to distribute telephone lines within a house or office.

Index

A

Abbreviated Dialing, 24
 Accessing the battery compartment, 40
 Accessories, 35
 Advanced Features, 20
 Alternate Line Service (ALS), 26
 Antenna care, 38
 Antennas, 35
 Assembly, 9
 Audible Tones, 31

B

Basic Kit, 33
 Battery, 35
 Battery Cable, 36
 Battery information, 39

C

Call Barring, 21
 Call Divert, 20
 Call Restriction, 21
 Call waiting service, 22
 Changing Volume, 20
 Checking the connections, 16
 Checking the quality of the calls, 16
 Children, 39
 Conditions, 42
 Conference Calls, 23
 Connecting a telephone to the FWT, 10
 Connecting devices to the FWT, 15
 Connecting Devices to the FWT, 15
 Connecting the FWT to a PBX, 17
 Copyright, 5

D

DC/DC Power Converter, 36

Fixed Wireless Terminal: G30 and G35 models

Declaration of Conformity, 5
 Disposal of the product, 4

E

Enter PIN, 11
 Environmental Conditions, 34
 Ericsson Warranty, 41
 Explicit Call Transfer, 24
 External triple band omni directional antenna, 35

F

FCC Statement, 5
 Fixed Wireless Terminal, 6
 FWT Interfaces, 33
 FWT Location, 12

G

G36 FWT connectivity to the analog trunk of the PBX, 18
 Generic requirements, 17
 Glossary, 43
 GSM Air Interface, 32
 GSM Antenna, 33

I

Installation, 9
 Installing the FWT as a telephone line, 16
 Installing the FWT on the Wall, 12

L

LED indicators, 28
 Limited Warranty, 41
 List of Components, 7

M

Making a Second Call, 23
Mechanical Antitheft Key, 36
Mechanical Antitheft Lock, 36
Minute Minder, 25
Moving or Storing the FWT, 40
Multiparty Calls, 22

N

Network Search, 12

O

Outdoor directional antenna, 35

P

Personal medical devices, 39
Phonebook, 24
Potential explosive atmospheres, 39
Power supply, 39
Power Supply, 33
Preparing Your FWT, 9
Product care, 37
Product Care and Safety, 37
Product Description, 6

R

Radio wave exposure information, 38
Receiving a Second Call, 23

S

Sending Tone Signals, 25
SIM Card, 9
SIM Card Security, 27
Supplied Parts, 7
Switch on the FWT, 11

T

Technical Data, 32
Telephone Interfaces, 33
To Change your PIN, 27
To Manage your SIM Card, 27
To Unblock your SIM Card, 27
Troubleshooting, 11, 16, 28

U

Using telephones, 19

V

Voice Mail, 25

W

Wall mounting, 13
Warranty, 5, 41
Welcome, 4
What Ericsson will do, 41

Ericsson is shaping the future of Mobile and Broadband Internet communications through its continuous technology leadership. Providing innovative solutions in more than 140 countries, Ericsson is helping to create the most powerful communication companies in the world.

WWSI

Wired & Wireless Solutions International

Tel" +61 2 9412 2100 Fax: +61 2 9403 7900

Level 7, 6 Help St Chatswood NSW 2067 Australia

Also visit us on www.wwsinternational.com.au

© Ericsson AB 2006
EN/LZT 151 233